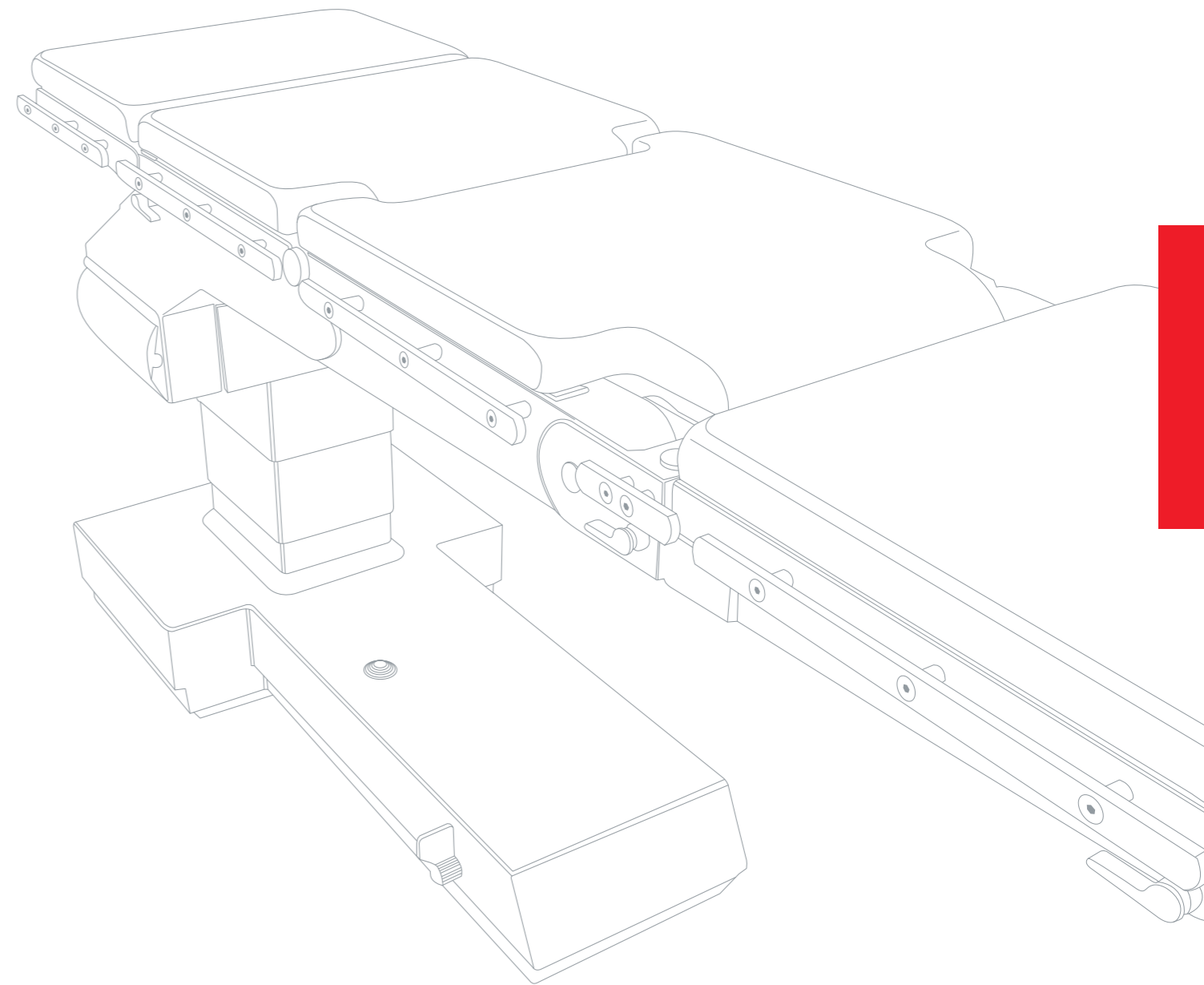


schaerer[®] axis

400/500/600/700/800



MOBILE OPERATING TABLES
FOR ALL SURGICAL APPLICATIONS



Schaerer Medical AG
Erlenauweg 17
CH-3110 Münsingen
Tel. +41 31 720 22 00
Fax +41 31 720 22 30
info@schaerermedical.ch
www.schaerermedical.ch

 **schaerermedical[®]**
WHEREVER YOU OPERATE • SINCE 1892

**Medical products and solutions
made in Switzerland**

schaerer medical	– TRADITION, QUALITY AND INNOVATION	02
schaerer® axis	– THE MOBILE OPERATING TABLE FOR ALL SURGICAL APPLICATIONS	04
schaerer® axis	– HIGHLIGHTS	05
schaerer® axis	– MODELS	06
schaerer® axis	– APPLICATION	14
schaerer® axis	– ACCESSORIES	21
schaerer® axis	– TECHNICAL DATA	23

Schaerer Medical AG as a traditional Swiss company is a worldwide leading manufacturer of mobile operating tables, medical accessories and custom made accessories for all surgical disciplines and fields of application.

Since 1892 Schaerer Medical has been developing high-grade operation tables, manufacturing them exclusively in Switzerland.

As a medium-sized manufacturer we can react flexibly and quickly to special customer requirements, being able to provide individual solutions for all fields of application.

A worldwide network of distributors and service-partners in over 75 countries guarantees the worldwide distribution as well as a first class service on site.

Schaerer Medical continuously invests in innovative products, which are developed in close collaboration with leading surgeons and medical personalities. Schaerer products are known all over the world and stand for maximum precision, processing quality and a long service life.

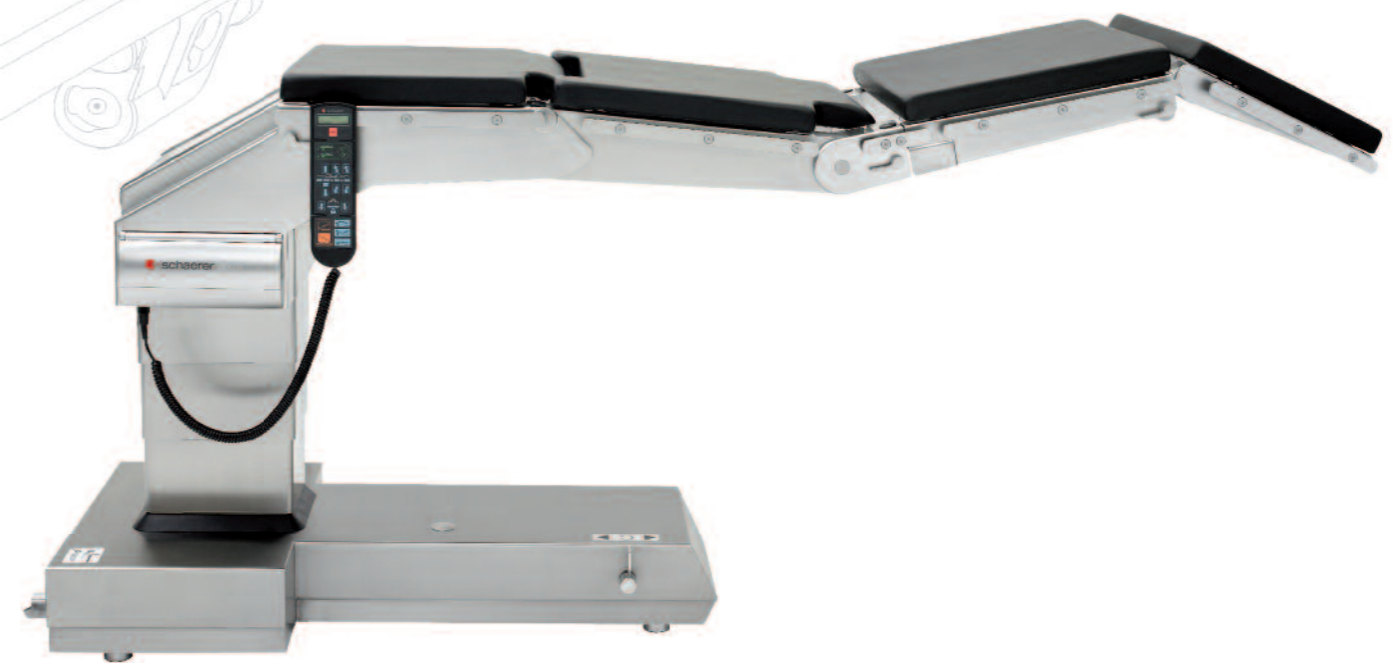
**schaerer® axis
Mobile universal operating tables**

The **schaerer® axis 400-800** model range is the most successful product line in over 100 years of Schaerer Medical's history.

Every day several thousand **schaerer® axis** operating tables are used reliably all over the world, supporting your work in the operating theatre.

You will receive an operating table that has already proved its capabilities thousands of times and even today is one of the most used tables in the world because of its **unique eccentric column**.

The proven reliability of the **schaerer® axis 400-800** series, associated with their outstanding flexibility and their uniquely functional design, are good reasons for many hospitals around the globe to opt for a **schaerer® axis** table time and time again.



schaerer® axis

Mobile operating tables and operating systems for all surgical disciplines and applications

MAXIMUM ECCENTRIC COLUMN

Maximum access for the surgeon, nurses and technicians without additional longitudinal shifting even where space is limited. Table top area offside the column up to 1990 mm and X-ray transparent table top area (up to 1900 x 370 mm).

NEW: VISCO ELASTIC PADS

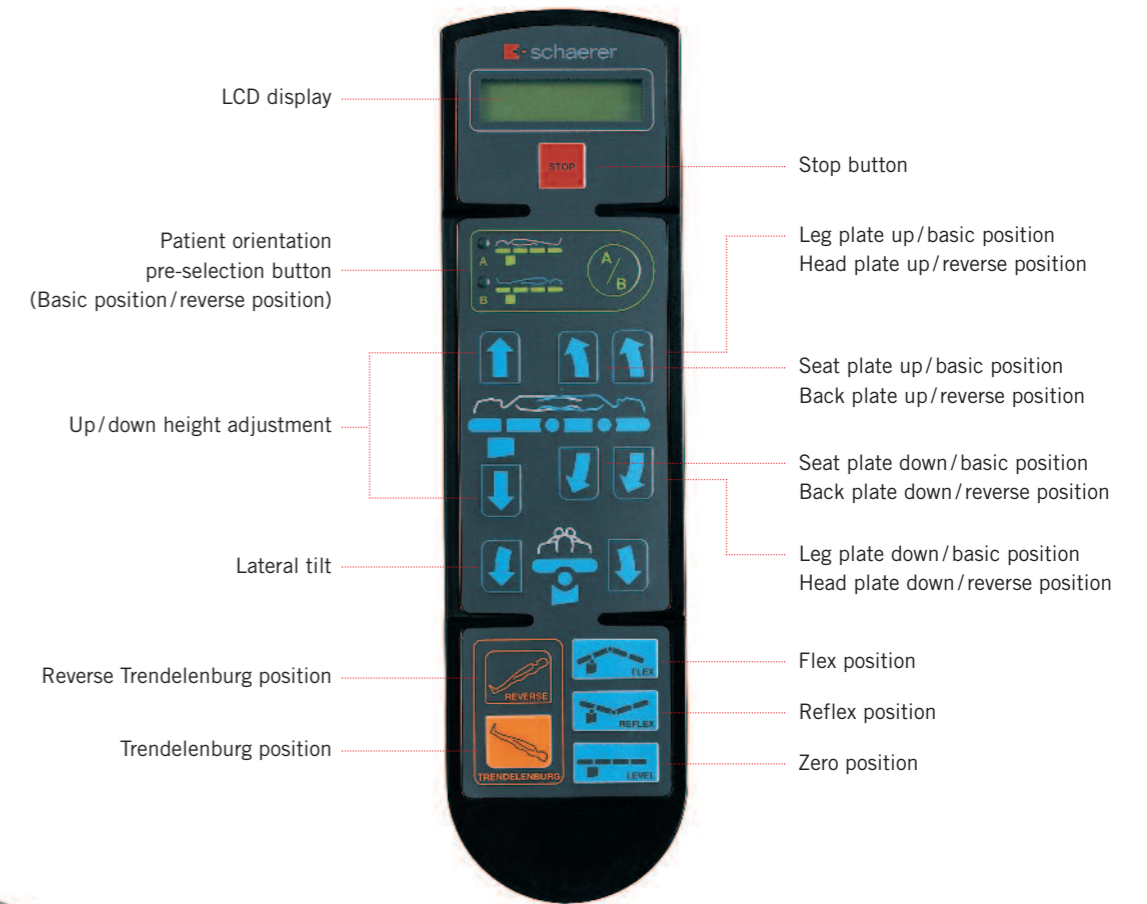
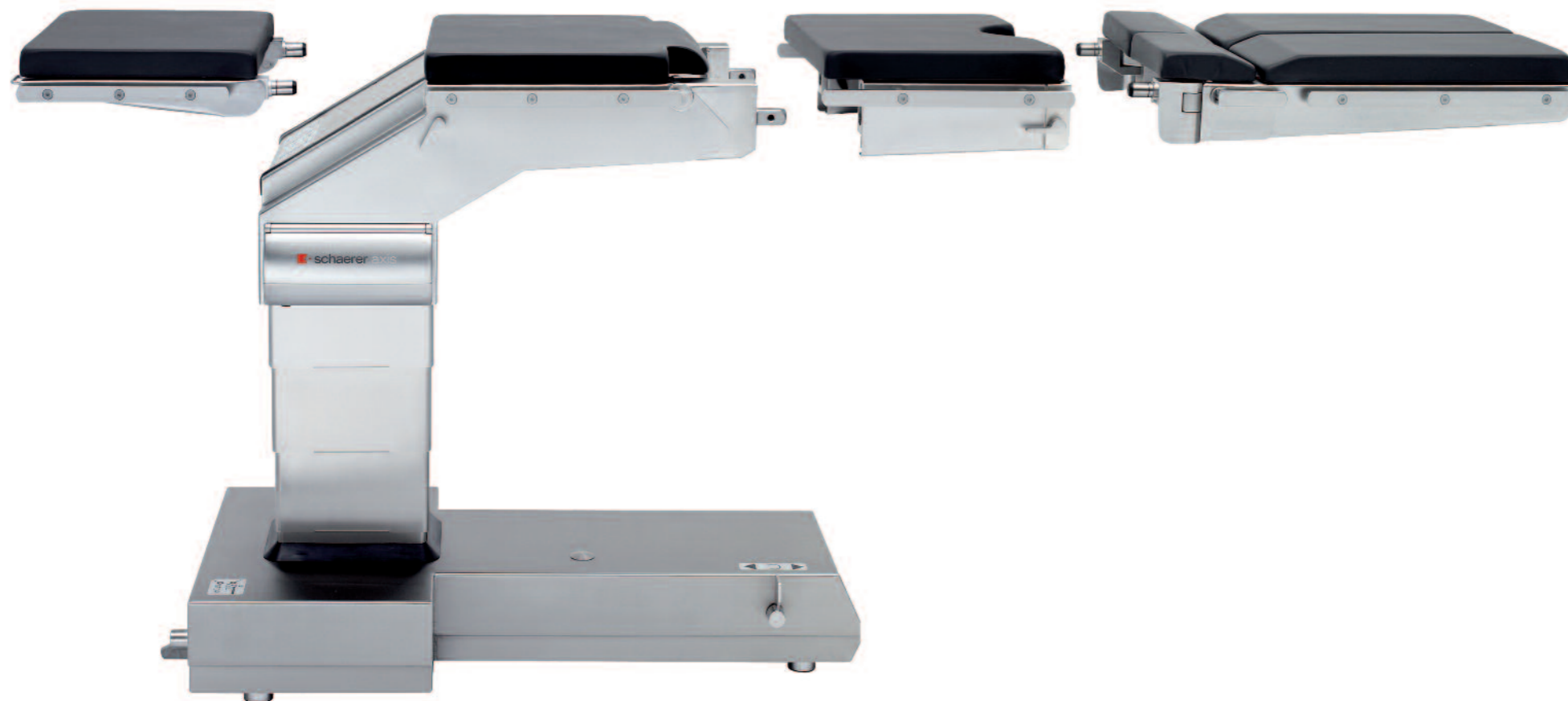
New durable oil free visco elastic padding for all table top sections and most of the accessories. Reduces pressure up to 50 % versus standard foam for perfect comfort and safety.

MAXIMUM STABILITY

The use of high quality Swiss materials and components ensures strength and a long service life. **220 kg / 485 lbs all position dynamic weight capacity.**

MAXIMUM SAFETY

Only Schaerer operating tables have two independent motor pump systems that can work powered by batteries for several operating days.



Hand control: ergonomically shaped, clearly arranged keypad and LCD display of all important functions.

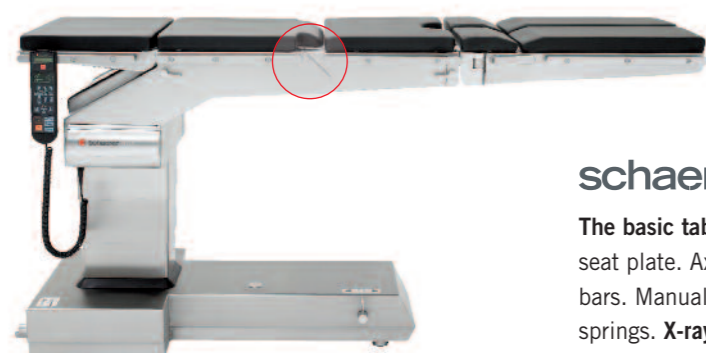


Emergency operating panel: the second control system can be activated through the integrated emergency operating panel.

schaerer® axis

Mobile operating tables and operating systems for all surgical disciplines and applications

MODELS



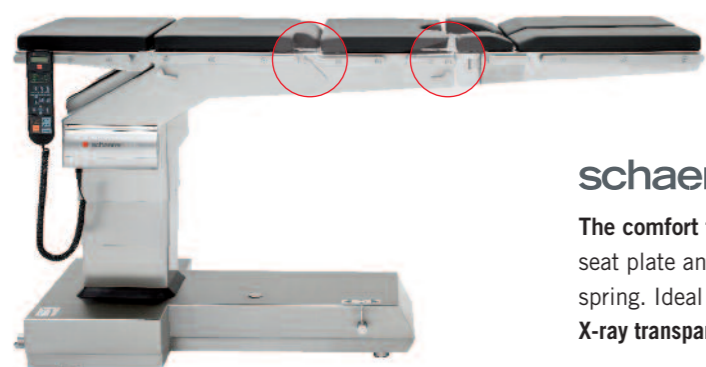
schaerer® axis 400

The basic table with one electro-hydraulically driven table top axis for the seat plate. Axis in front of the column. One-part, non-removable seat plate bars. Manually adjustable head and leg plates supported by gas pressure springs. X-ray transparency 1450 - 1830 mm (with intermediate plate).



schaerer® axis 500

The universal table with one electro-hydraulically driven table top axis for the seat plate. Removable, two-part seat plate bars for fitting orthopaedic accessories in the basic or reverse position (beach chair). Manually adjustable head and leg plates supported by gas pressure springs. Universal for all accessories, including extension devices and the schaerer® MIS-Extension. X-ray transparency 1450 - 1830 mm (with intermediate plate).



schaerer® axis 600

The comfort table with two electro-hydraulically driven table top axes for seat plate and leg plates. Manually adjustable head plate with gas pressure spring. Ideal for gynaecology, urology and neurosurgery. X-ray transparency 1450 - 1830 mm (with intermediate plate).

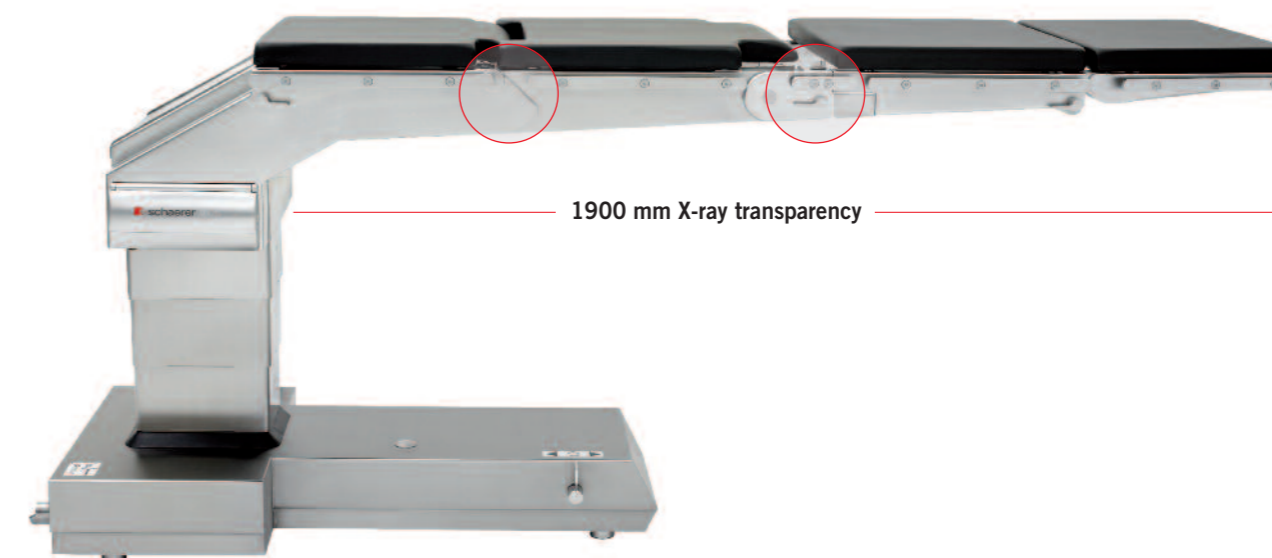


schaerer® axis 700

The ortho-trauma table with one electro-hydraulically driven table top axis. Specially for orthopaedic and trauma accessories. (Extension devices, schaerer® MIS-Extension). schaerer® axis 500 basic unit (without seat and leg plates).

schaerer® axis 800

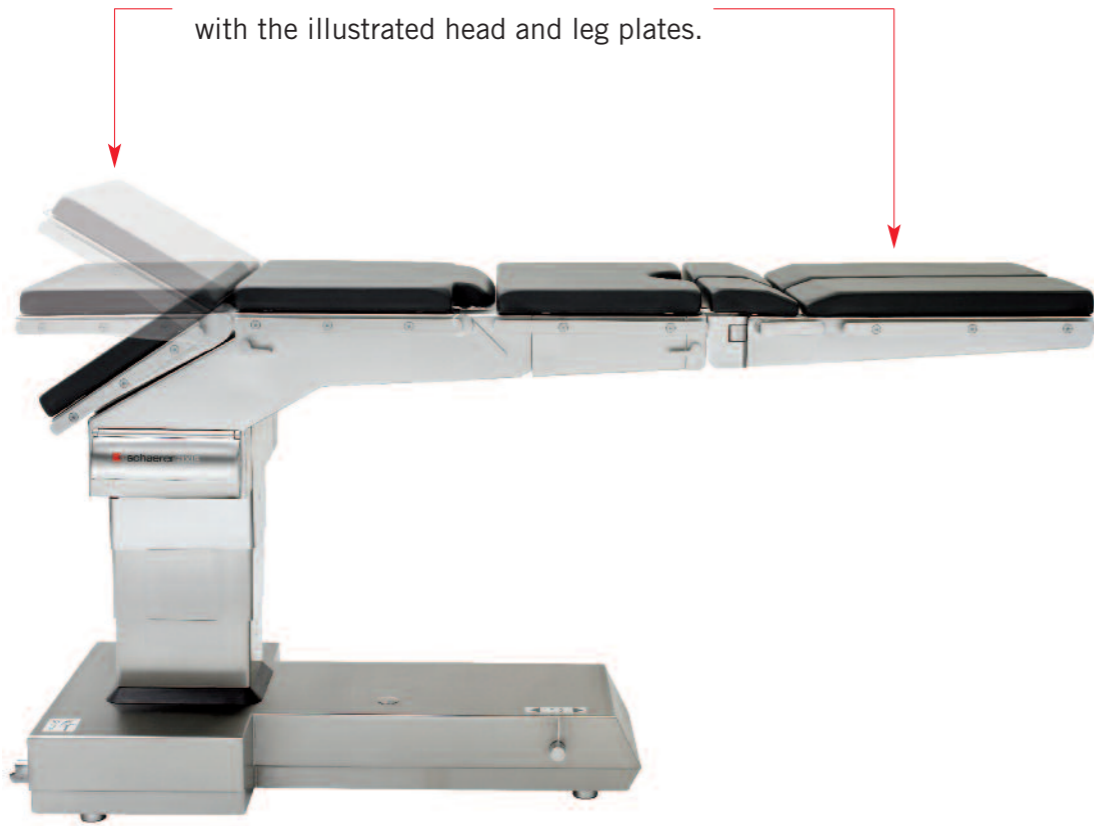
The premium table with a 1990mm table top from the column, for maximum accessibility in basic and reverse position. 2 electro-hydraulically driven table top axes for seat plate and leg plate. Reverse position: automatically adjustable back or head plate. Extended movement range of the relevant plate 85°/105°. Adjustable accessories such as leg holder and shoulder arthroscopy plate. Best for neurosurgery and ENT operations through the unobstructed access to the operating field.



1900 mm X-ray transparency

Product characteristics

All models can be optionally equipped with the illustrated head and leg plates.



CHARACTERISTICS



91450 Head rest, standard, tilting up and down with side rails 25 x 10 mm
91453 Head rest, standard, tilting up and down with side rails 30 x 10 mm
 Standard head rest for the models schaeerer® axis 400 – 700. Length: 400 mm. Continuous adjustment with gas-lift spring assistance.



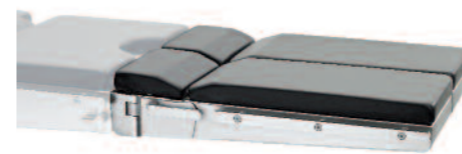
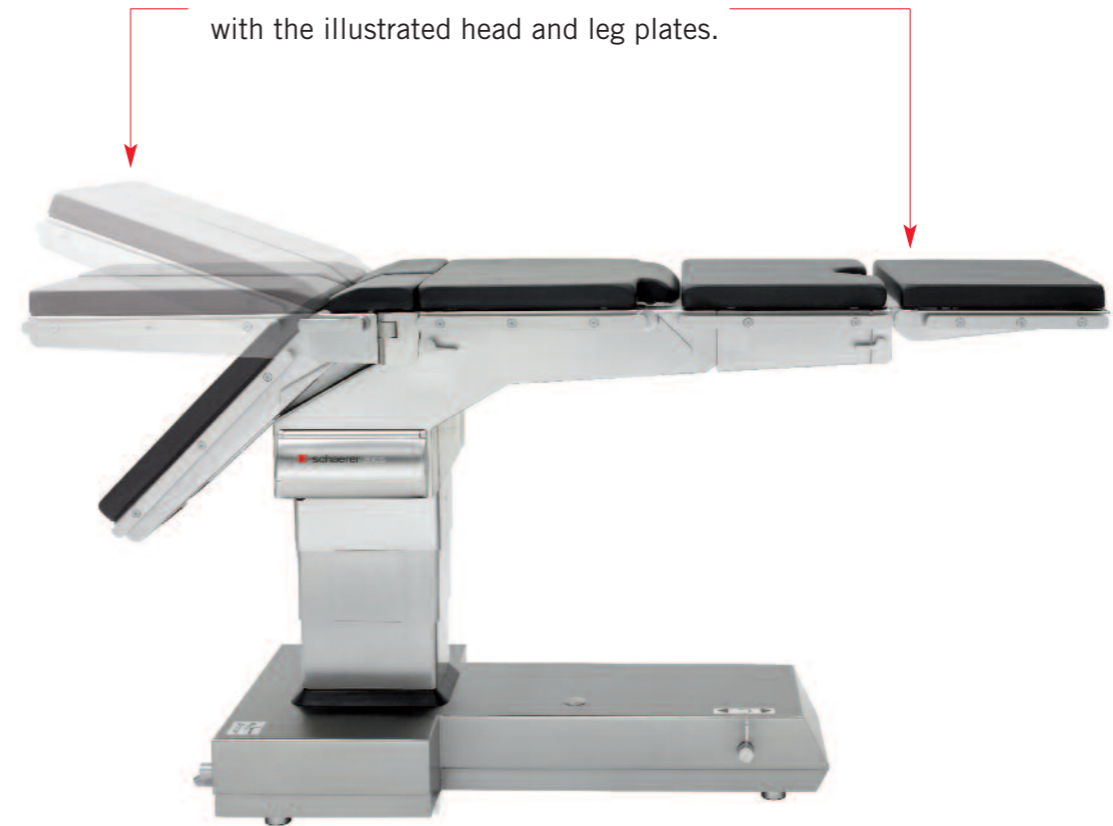
91452 Head rest, rigid with side rails 25 x 10 mm
91454 Head rest, rigid with side rails 30 x 10 mm
 Head rest for the models schaeerer® axis 400 – 700. Length: 400 mm. Equipped with hexagonal adapter for attaching the head rest holder 90040 and 90041 with adapter 90456.



90422 Head rest, rigid, short version with side rails 25 x 10 mm
90423 Head rest, rigid, short version with side rails 30 x 10 mm
 Short head rest for the models schaeerer® axis 400 – 700. Length: 220 mm. Equipped with hexagonal adapter for attaching the head rest holder 90040 and 90041 with adapter 90456.

Product characteristics

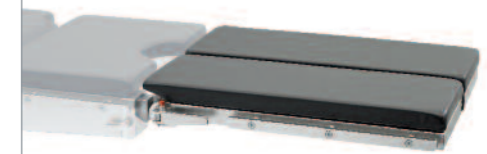
All models can be optionally equipped with the illustrated head and leg plates.



91440 Leg plates, 2-part with side rail 25 x 10 mm
91441 Leg plates, 2-part with side rail 30 x 10 mm
 Standard leg plates, consisting of 2 small and 2 large leg plate pads. Tilting up and down with gas-lift spring assistance. Swivelling outwards.



90553 Leg plates, 2-part with side rail 25 x 10 mm
90554 Leg plates, 2-part with side rail 30 x 10 mm
 Leg plates, consisting of 2 small and 2 large leg plate pads. Small plate pads in triangular shape. Optimum access when swivelled outwards. With gas-lift spring assistance.



90427 Simple leg plates, 2-part with side rails 25 x 10 mm
90428 Simple leg plates, 2-part with side rails 30 x 10 mm
 Consisting of 2 leg plate pads. Manually tilting up and down. Lockable with denticulated clamp joint. Not swivelling outwards.

Maximum free space for C-arm utilisation
in the basic position



Basic position

Maximum free space for C-arm utilisation
in the reverse position



Reverse position (maximum position)
thereof 1900 x 370 mm X-ray transparent
1990 mm table top off the column with schaeerer® axis 800

General Surgery



Cholecystectomy positioning
table top from the column 1600mm, thereof 1450 mm X-ray transparent
(schaerer® axis 400/500/600)

Gynaecology / Urology



Laparoscopic interventions with leg holders «InfiniMax»
and intermediate plate.

APPLICATIONS



Positioning for hand surgery with hand surgery plate
without floor support



Rectum positioning



Gynaecological and urological intervention with leg holders
«LEG-TOP» for flat and lithotomic positions



Lateral positioning for nephrectomy and
postero-lateral spinal column surgery

Neuro Surgery



Intervention in supine position in reverse position with original DORO® accessories (teflon covering) and universal adapter



Intervention in supine position in reverse position with original DORO® accessories (aluminium) and universal adapter



Positioning for spinal surgery

Shoulder Surgery



Intervention on the shoulder with shoulder arthroscopy plate and head rest narrow



Intervention on the shoulder in reverse position schaeerer® axis 500/700 with orthopaedic seat plate and head rest narrow



Intervention in the head and cervical area in reverse position with shoulder arthroscopy plate and facial / occipital head rest

APPLICATIONS

Orthopaedic and Traumatological Surgery
schaerer® MIS-Extension



schaerer® MIS-Extension - orthopaedic-traumatologic support and positioning system with extension device offering full freedom of movement for the lower extremity. Can be operated with one hand only. Specially developed for minimally invasive surgery and hip arthroscopy with perioperative positioning and gamma-nailing.



Orthopaedic and Traumatological Surgery
schaerer® MIS-Extension



The trolley assures the correct storage of the system and of the necessary accessories. The **schaerer® MIS-Extension** can easily be attached to the operating tables **schaerer® axis 500/700** or **schaerer® arcus 501/701** by using the trolley.

Orthopaedic and Traumatological Surgery



IM-nailing of the femur in lateral position
Extension with traction shoe



IM-nailing of the femur in lateral position
Extension with horse-shoe holder «Kirschner»

Orthopaedic and Traumatological Surgery



Intervention in the pelvic area
with orthopaedic seat plate and leg plates



IM tibia nailing
Extension with traction shoe

APPLICATIONS

Orthopaedic and Traumatological Surgery



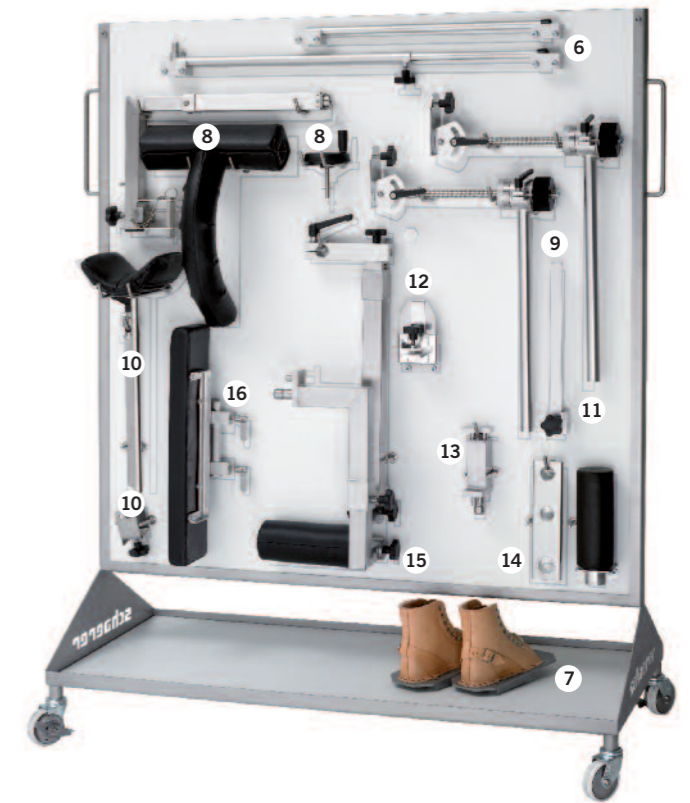
Femur neck nailing with orthopaedic accessories, leg plate with extension



Positioning for knee arthroscopy with leg holder for arthroscopy

Accessories for Orthopaedic and Traumatological Surgery

The clearly arranged accessories enable interventions for thigh, lower leg and intra-medullary nailing. A special orthopaedic-traumatological operating table is not necessary. Attachable to the models schaeerer® axis 500/700 and schaeerer® arcus 501/701.

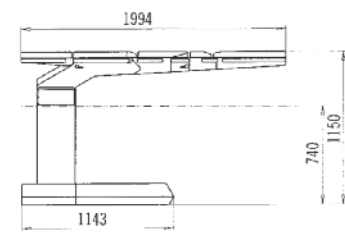


- | | | | | | |
|---|--------------------------------------|-------------|----|--|-------------|
| 1 | Traction bars for the femur (pair) | 90183 | 9 | Traction units (order 2 pieces) | 90184 |
| 2 | Orthop. / traumat. seat plate | 90244 | 10 | Orthopaedic leg holder with pad | 90199/90200 |
| 3 | Orthop. / traumat. leg plates (pair) | | 11 | Side rail extension | |
| | with side rails 25 x 10 mm | 90410 | | for side rails 25 x 10 mm | 81696 |
| | with side rails 30 x 10 mm | 90409 | | for side rails 30 x 10 mm | 81695 |
| 4 | Leg holder «Goepel» | 90330 | 12 | Horse-shoe holder «Kirschner» | 90198 |
| | Pad | 90167 | 13 | Support for «Goepel» leg holder | |
| | Radial setting clamp | 90506 | | with side rails 25 x 10 mm | 90190 |
| | Fixing strap | 90344 | | with side rails 30 x 10 mm | 90189 |
| 5 | Accessories trolley with symbols | | 14 | Perineal rod with holder | 90195/90194 |
| | with side rails 25 x 10 mm | 90420 | 15 | Traction bar for the lower leg with pad | 90186/90172 |
| | with side rails 30 x 10 mm | 90418 | 16 | Table extension (with pad) | 90419 |
| 6 | Telescopic supports | 90193 | 17 | Packaging for orthopaedic-traumatological accessories trolley (no picture) | 91293 |
| 7 | Traction shoes (pair) | 90191 | 18 | Adapter for traction shoes (no picture) | 90196 |
| 8 | Counter-traction holder with pad | 90187/90145 | | | |

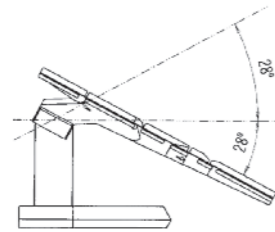
Product characteristics

schaerer® axis	400	500	600	700	800	unit
Table top outside of the column / thereof X-ray transparent with intermediate plate*/ thereof X-ray transparent	1600 / 1450 1980 / 1830 63.0 / 57.1 78.0 / 72.0	1600 / 1450 1980 / 1830 63.0 / 57.1 78.0 / 72.0	1600 / 1450 1980 / 1830 63.0 / 57.1 78.0 / 72.0	- - - -	1990 / 1900 78.3 / 74.8	mm / inch
Weight without head and leg plates	280 / 616	284 / 625	292 / 642	271 / 596	304 / 669	kg / lbs
Length without head and leg plates	865 / 34.1	865 / 34.1	865 / 34.1	485 / 19.1	1030 / 40.6	mm / inch
Length with head and leg plates	1997 / 78.6	1997 / 78.6	1997 / 78.6	-	1960 / 77.2	mm / inch
Width of table top	520 / 20.5	520 / 20.5	520 / 20.5	520 / 20.5	520 / 20.5	mm / inch
Total width (with side rails)	580 / 22.8	580 / 22.8	580 / 22.8	580 / 22.8	580 / 22.8	mm / inch
Maximum patient weight (dynamic all positions)	220 / 484	220 / 484	220 / 484	220 / 484	180 / 397	kg / lbs
Column range of motion	734 - 1140 / 28.9 - 44.9	734 - 1140 / 28.9 - 44.9	734 - 1140 / 28.9 - 44.9	734 - 1140 / 28.9 - 44.9	737 - 1145 / 29.0 - 45.1	mm / inch
Trendelenburg / reverse Trendelenburg	28 / 28	28 / 28	28 / 28	28 / 28	28 / 28	degree
Lateral tilting right/left	18	18	18	18	18	degree
Seat plate up	76	76	76	76	30	degree
Seat plate down	40	40	40	40	40	degree
Motorised leg plate up (basis position)	-	-	15	-	80	degree
Motorised leg plate down (basis position)	-	-	70	-	105	degree

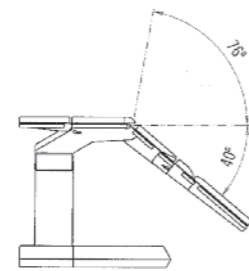
*patient weight permitted with intermediate plate: basic position 180 kg / reverse position 150 kg



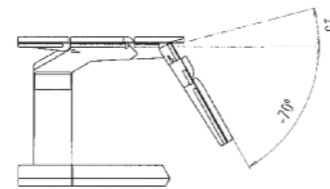
schaerer® axis
Basic position



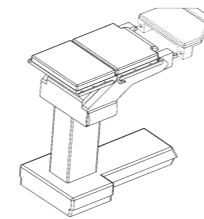
schaerer® axis
Basic position



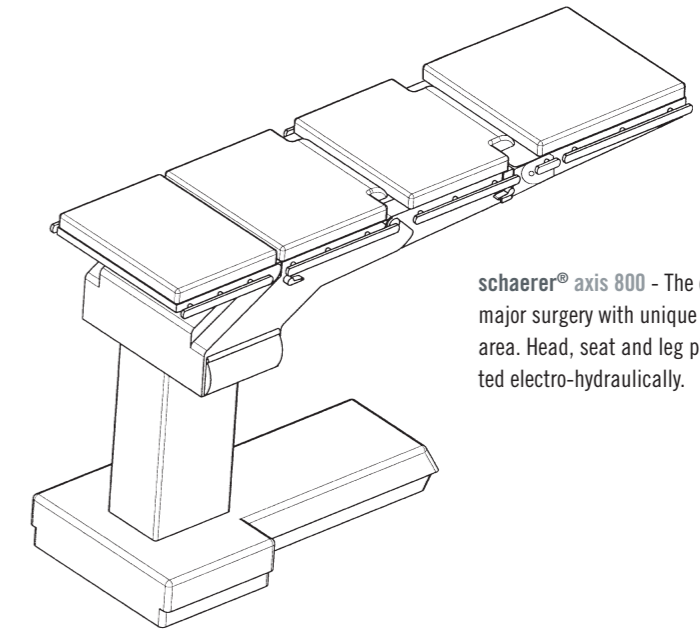
schaerer® axis
Basic position



schaerer® axis
Basic position (schaerer® axis 600)



schaerer® axis 700 - The basic model for orthopaedic and trauma accessories. Table top consisting of head and back plate and short seat plate bars.



schaerer® axis 800 - The operating table for major surgery with unique image intensifying area. Head, seat and leg plates can be adjusted electro-hydraulically.

Technical data:

Electrical mains connection 100-120 / 200-240 V AC, 50-60 HZ
Control voltage 24 V DC
Battery charging time: 6 - 8 hours
Battery capacity: depending on the operations up to 5 days
4 maintenance-free special batteries with charge indication on the display of the hand control
7 section table top
Side rail dimensions 25 x 10 mm or 30 x 10 mm
Weight: 300 kg

Electro-hydraulic:

Height adjustment up / down
Trendelenburg / Reverse Trendelenburg
Lateral tilt left / right
Seat plate up / down
Leg plate up / down (schaerer® axis 600 and 800 Basic-Position)
Head plate up / down (schaerer® axis 600 and 800 Reverse-Position)
Flex / Reflex
Zero position

Manual:

Head plate up/down
Leg plate up/down
Leg plates swivelling out 90°

Subject to modifications

